

WARING COMMERCIAL

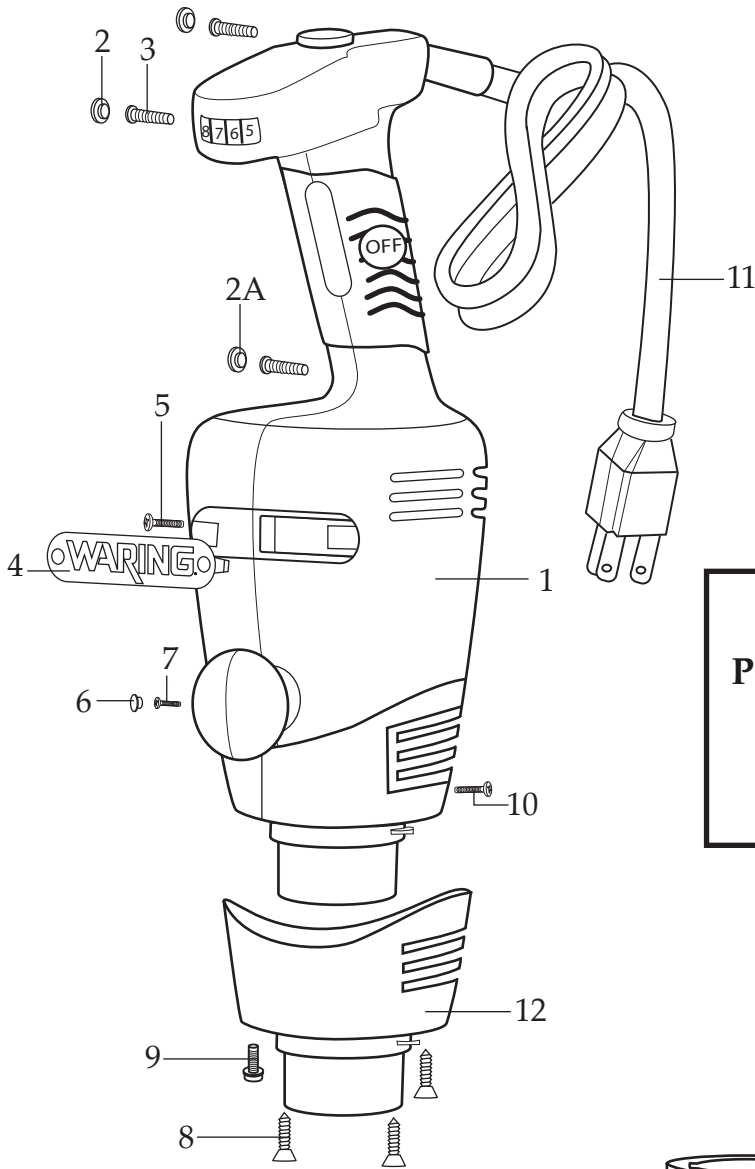
WSB50 12" Immersion Blender

WSB55 14" Immersion Blender

WSB60 16" Immersion Blender

WSB65 18" Immersion Blender

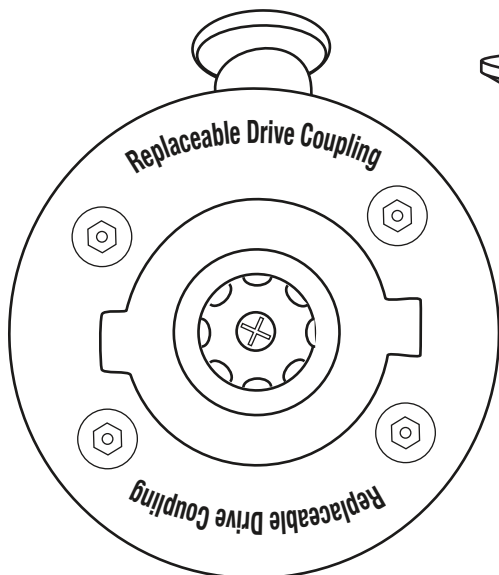
WSB70 21" Immersion Blender



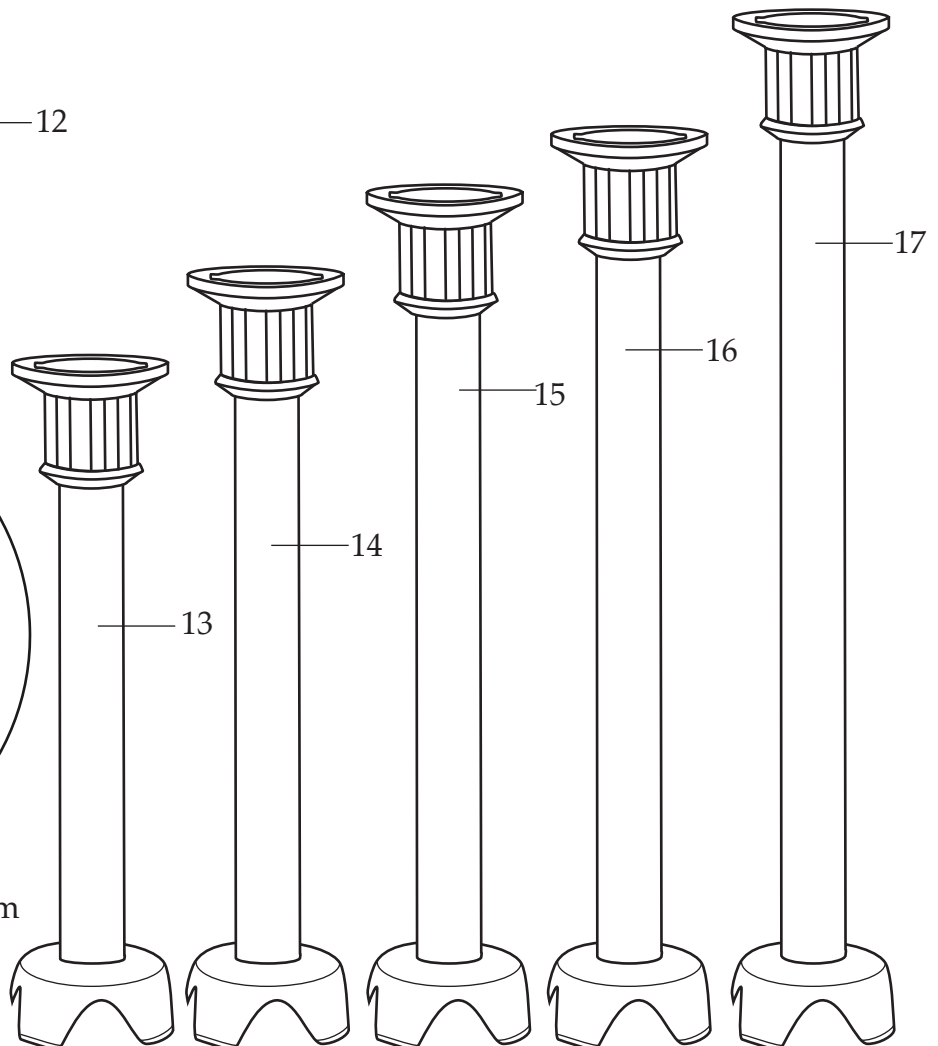
503357 Kit *Parts Included*

Power Pack Coupling Tool

Shaft Coupling Tool



To use the 503357 kit the bottom of your Power Pack must look like this.



Catalog	Model
WSB50	WSB
WSB55	WSB
WSB60	WSB
WSB65	WSB
WSB70	WSB

Waring Factory Service Center
 314 Ella T. Grasso Ave.
 Torrington, CT 06790
 Tele. 1-800-269-6640
 Fax 860-496-9017
 www.waringproducts.com

Illustration #	Part #	Description
1	502955	WSB Power Pack
2	029839	Hole Plug 2 Req,'d
2A	029905	Hole Plug
3	029840	Screw 3 Req,'d
4	029841	Name Plate Panel
5	029842	Screw
6	029843	Hole Plug
7	029844	Screw
8	029845	Screw 3 Req,'d
9	029846	Screw
10	029844	Screw
11	030442	Cord Set
12	030440	Housing Cover
13	502956	12" Shaft Assy. with Blade
14	502957	14" Shaft Assy. with Blade
15	502958	16" Shaft Assy. with Blade
16	503002	18" Shaft Assy. with Blade
17	503003	21" Shaft Assy. with Blade

Internal Component

